

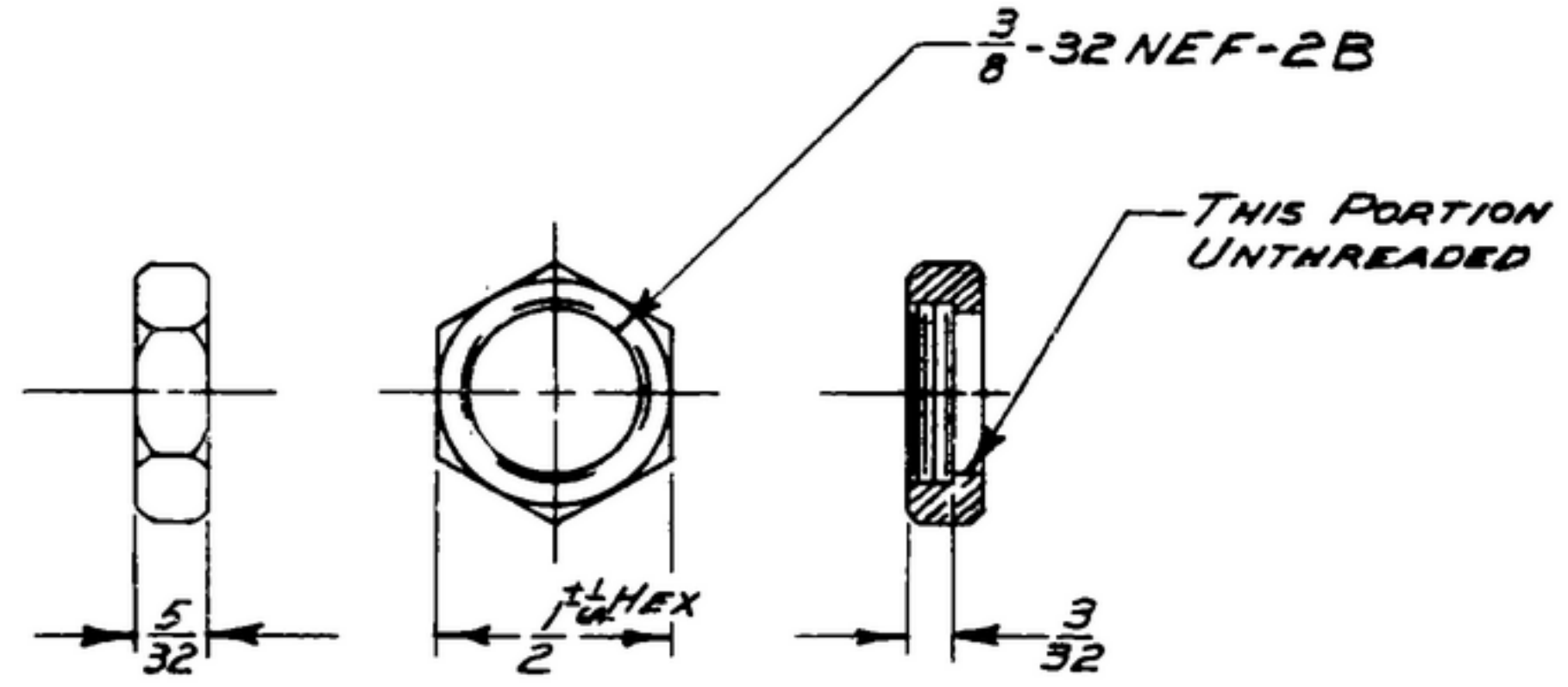
NOTICE: WHEN GOVERNMENT DRAWINGS, SPECIFICATIONS, OR OTHER DATA ARE USED FOR ANY PURPOSE OTHER THAN IN CONNECTION WITH A SPECIFICALLY DELAYED GOVERNMENT PROCUREMENT OPERATION, THE UNITED STATES GOVERNMENT THEREBY INCURS NO RESPONSIBILITY FOR ANY OBLIGATION WHATSOEVER, AND THE FACT THAT THE GOVERNMENT MAY HAVE FORMULATED, FURNISHED, OR IN ANY WAY SUPPLIED THE SAID DRAWINGS, SPECIFICATIONS, OR OTHER DATA IS NOT TO BE REGARDED BY REPLICATION OR OTHERWISE AS IN ANY MANNER LICENSES THE HOLDER OR ANY OTHER PERSON OR CORPORATION, OR OBTAINING ANY RIGHTS OR PERMISSION TO REPRODUCE, COPY, OR SELL ANY PATENTED INVENTION THAT MAY IN ANY WAY BE RELATED THERETO.

THIS DOCUMENT HAS BEEN FURNISHED BY THE GOVERNMENT AND MAY BE REPRODUCED AND USED IN CONNECTION WITH ANY GOVERNMENT PROCUREMENT OR MAINTENANCE OPERATION.

FOR INFORMATION ONLY, CONTRACTOR MAY AT HIS OPTION DEVIATE FROM THESE PROCESS DETAILS.

**SWE APPROVAL
SYM PRIOR TO 2-10*

REVISIONS			
SYM	DESCRIPTION	DATE	APPROVAL
A ₂	A ₁ ADDED APPL SM-D-343620 A ₂ WAS M 252	6 NOV 59	42428-PC 59-A1-51 REV'D PME



NOTES:
 1. PART MAY BE SUPPLIED BY CHASE BRASS & COPPER CO., INC., WATERBURY, CONNECTICUT OR EQUAL, PROVIDING IT MEETS THE FOLLOWING REQUIREMENTS AND DIMENSIONS SHOWN.

MATERIAL: BRASS
 FINISH: M352B PER SPEC MILF-14072

A₁

COLLINS PART NO.	ITEM	QTY	PART NO.	DESCRIPTION	DATE	DATE SPEC
LIST OF MATERIAL						
COLLINS PART NO. <i>559 0262 002</i>						

				DRAWN <i>ECS</i>	CHECKED <i>[Signature]</i>	APPROVED	-COLLINS RADIO CO. -SEAR-DAVIDSON- <i>14214-PH-51-93</i>		NUT - LOCKING DEPARTMENT OF THE ARMY SIGNAL CORPS ENGINEERING LABORATORIES FORT MONMOUTH NEW JERSEY <i>SM-B-283167</i>
				UNLESS OTHERWISE SPECIFIED: DECIMAL DIMENSIONS INCLUDING HOLE SIZES MAY VARY ±.005 FRACTIONAL DIMENSIONS INCLUDING HOLE SIZES MAY VARY ±1/64 MACHINED ANGLES MAY VARY ±.1° SHEARED ANGLES MAY VARY ±.25° BROKEN ANGLES MAY VARY ±.1° ECCENTRICITY BETWEEN ANY DIAMETERS ON THE SAME CENTERLINE SHALL NOT EXCEED .010 TOTAL INDICATOR READING. ALL DIMENSIONS ARE FINISH DIMENSIONS INCLUDING APPLIED FINISH AND ARE GIVEN IN INCHES.			SIGNAL CORPS		
							REVIEWED <i>PME</i>		
							APPROVED <i>HLV</i> <i>PME</i>		
APPLICATION							DATE <i>18 JAN 56</i>	SCALE <i>2/1</i>	